

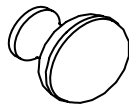
## Lilac 9 Drawer Dresser

### PRE-ASSEMBLY:

- Please read all instructions before starting to assemble.
- Remove all parts and hardware from box and lay out on a carpeted or scratch-free work surface. The shipping box provides an ideal work surface. Do not dispose of any contents until assembly is completed to avoid accidentally discarding small parts or hardware.
- Do not use power drill as it may cause cracking.

### HARDWARE INCLUDED:

A - Wooden Knob – 12pcs



B - Long Wooden Bolt- **For side drawers** (M4\*32mm) – 6pcs



C - Short Wooden Bolt- **For center drawers** (M4\*22mm) - 6pcs

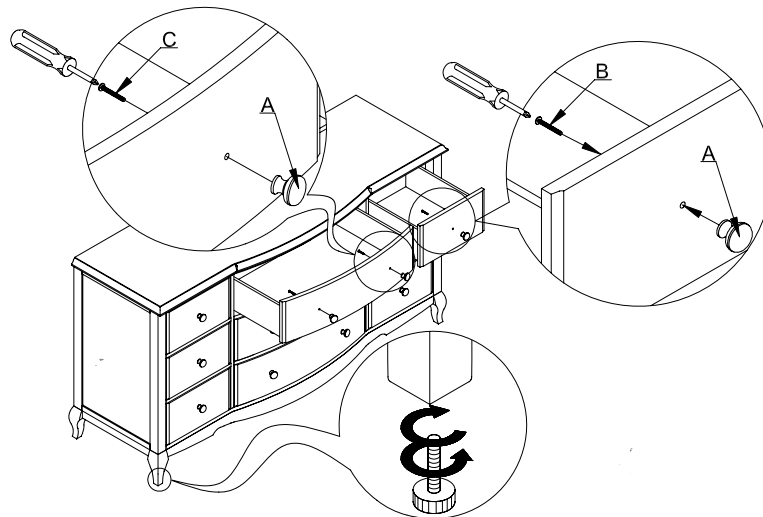


### TOOLS REQUIRED (but not included):

Phillips Head Screwdriver

### ASSEMBLY:

1. **PLEASE NOTE:** Long Wooden Bolts (B) are only to be used on the 6 side drawers and Short Wooden Bolts (C) are only to be used on the 3 center drawers.
2. Attach Wooden Knobs (A) to the side drawers by placing the knob over the pre-drilled hole on the front of drawer and screwing the Long Wooden Bolt (B) from the inside of drawer into Wooden Knobs (A). Tighten using a Phillips Head screwdriver, as shown below.
3. Repeat with center drawers by using Short Wooden Bolts (C).
4. Adjust recessed levelers at the bottom of legs to make sure the piece is balanced.



### CARE INSTRUCTIONS:

- Avoid direct sunlight and excessive temperatures.
- Dust often using a clean, soft dry and lint-free cloth.
- Slightly moisten cloth with water. A damp cloth holds dust and prevents scratching.
- Waxing is not recommended on lacquered finish.
- Periodically tighten hardware.



## FURNITURE TIPPING RESTRAINT

**WARNING:** This product is only a deterrent. It is not a substitute for proper adult supervision. Manufacturer assumes no liability for improper installation or excessive loads placed on screws, brackets or straps.

Young children may be injured by tipping furniture and the use of a tipping restraint is highly recommended.

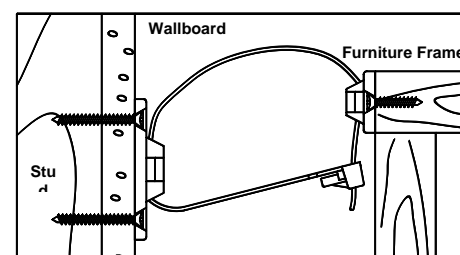
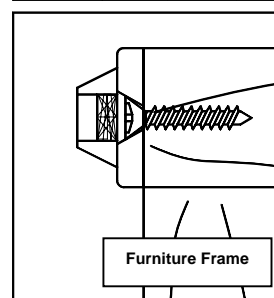
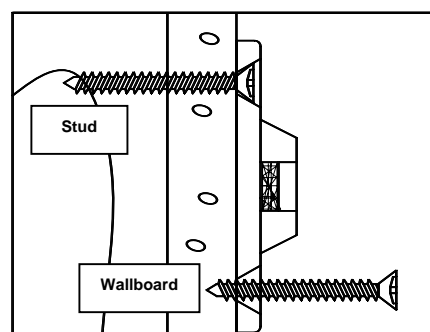
When properly installed, this restraint could provide protection against the unexpected tipping of furniture. We recommend mounting this restraint to a wall stud.

Hardware included:

- (2) Brackets 48 x 21 x 10mm
- (1) Nylon Strap 300 x 12 x 8mm
- (2) Stud Mounting Screws 6 x 32mm
- (2) Product Side Mounting Screws 6 x 19mm

Note: For safe mounting it is essential to use the proper hardware for your wall type. The included hardware is for drywall or stud mounting only. For other wall types (ie: plaster, concrete, brick...) please consult your local hardware store.

1. Determine the final resting position of the furniture piece. Mark location on the wall approximately 1" below the top of the back of the furniture. Mark and drill pilot hole into the center of the stud with a 3/32" drill bit. Attach a bracket to the stud with the long screws provided.
2. On the back of the furniture, a bracket will need to be attached to the furniture frame at the top. To do this, temporarily move the furniture into its final position and mark the location of the wall bracket on the furniture frame.
3. Move the furniture away from the wall and place a bracket on the mark. Mark and drill holes for screws with a 3/32" drill bit. Attach the bracket to the furniture with the short screws provided.
4. Check to be sure the wall bracket is firmly screwed into wall stud and the furniture bracket is firmly attached to the frame.
5. Move the piece of furniture into its final position so that the wall bracket and furniture bracket are in alignment.
6. Thread the strap through brackets and tighten until snug. Do not over-tighten.
7. Check to make sure the brackets are firmly installed and the strap is secure.



Completed Anti-tip Kit Installation