



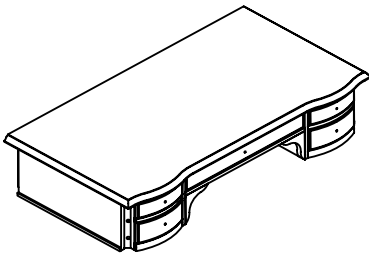
Lilac Desk

PRE-ASSEMBLY:

- Please read all instructions before starting to assemble.
- Remove all parts and hardware from box and lay out on a carpeted or scratch-free work surface. The shipping box provides an ideal work surface. Do not dispose of any contents until assembly is completed to avoid accidentally discarding small parts or hardware.
- Do not use power drill as it may cause cracking.

PARTS INCLUDED:

A – Desk Top – 1pc

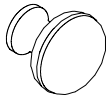


B – Desk Legs – 4pcs



HARDWARE INCLUDED:

C - Wooden Knob – 5pcs



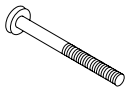
D – Short Wooden Knob Bolt– 4pcs
(22*4mm for Side Drawers)



E – Long Wooden Knob Bolt – 1pc
(25*4mm, for Center Drawer)



F – Hex Bolts – 12pcs
(M8*57*13mm)



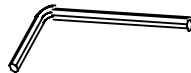
G - Spring Washers – 12pcs
(M8*13mm)



H – Flat Washers – 12pcs
(M8*22*2mm)



I – Allen Key – 1pc
(M4*74*29mm)

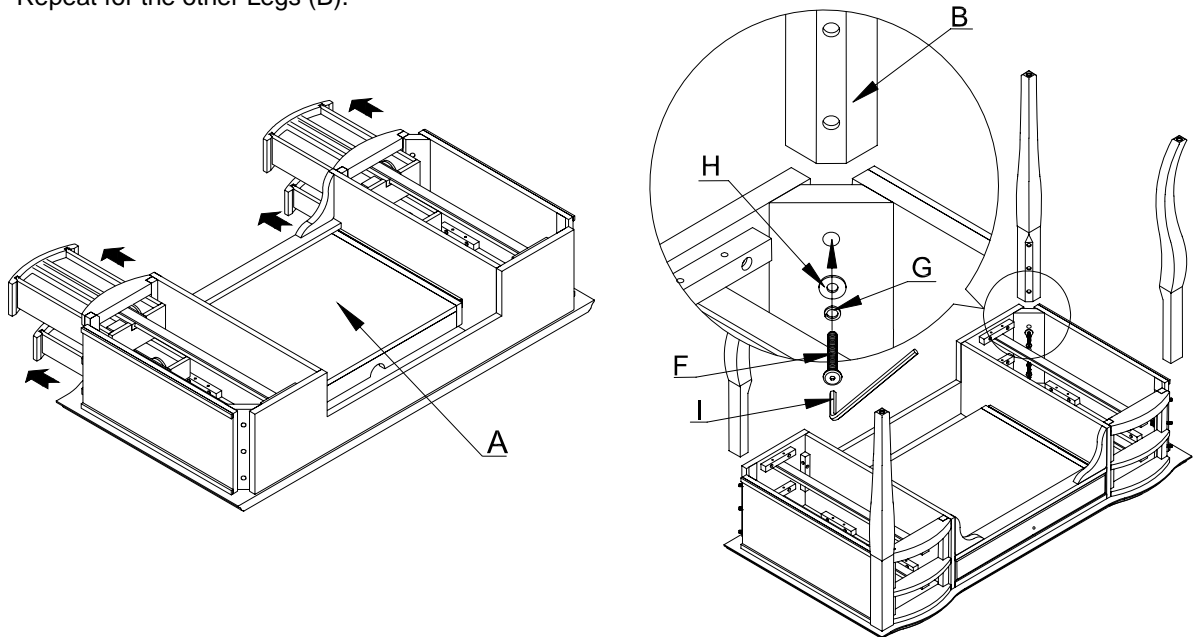


TOOLS REQUIRED (but not included):

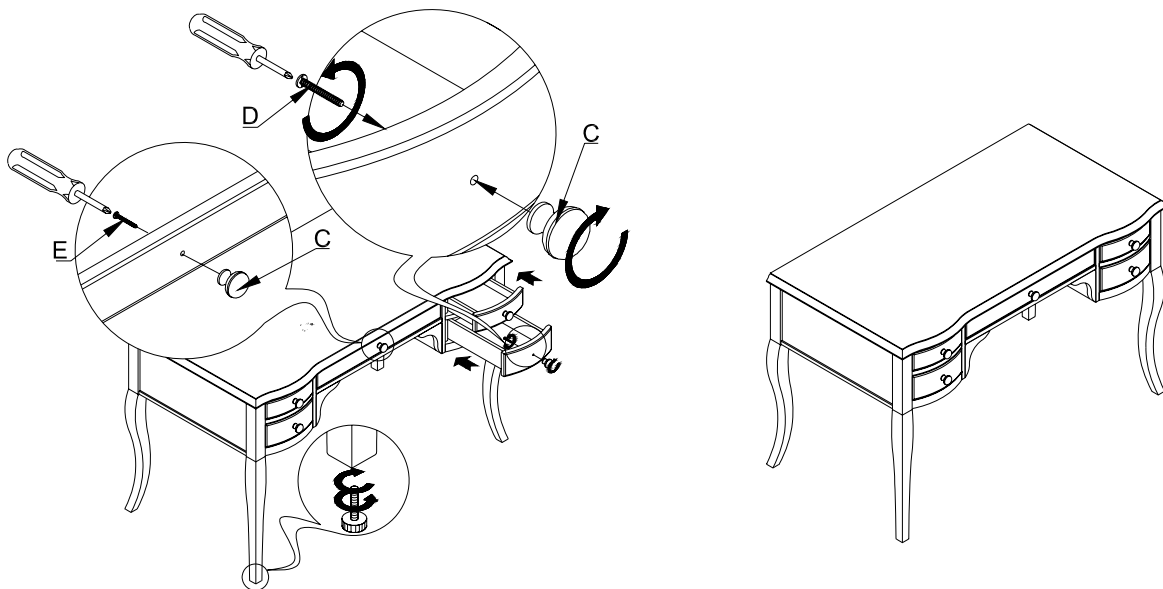
Phillips Head Screwdriver

ASSEMBLY:

1. Carefully lay the Desk Top (A) upside down on a carpet or scratch-free surface and remove the drawers as shown.
2. Attach a Leg (B) to the corner brace by placing the Leg (B) into the grooves of the corner brace, making sure the pre-drilled holes of the corner brace and Leg (B) are aligned. Slide a Spring Washer (G), followed by a Flat Washer (H) onto the Hex Bolt (F) and insert through the pre-drilled holes, as shown below. Tighten bolts with the enclosed Allen Key (I) but do not over-tighten.
3. Repeat for the other Legs (B).



4. With two adults, turn the Desk to an upright position. Attach Wooden Knobs (C) to drawers. Hold Wooden Knobs (C) over pre-drilled hole in drawer front. Screw Short Wooden Knob Bolt (D) through the rear of the drawer so that it enters the Wooden Knob (C). Tighten by using Phillips Head screwdriver, as shown. **PLEASE NOTE:** Short Wooden Knob Bolt (D) are only to be used on the 4 side drawers and Long Wooden Knob Bolt (E) is only to be used on the center drawer.
5. Repeat with other drawers and use Long Wooden Knob Bolt (E) to attach Wooden Knob (C) to keyboard tray.
6. Re-insert the drawers and adjust the recessed levelers located at the bottom of each leg to keep the Desk level.



CARE INSTRUCTIONS:

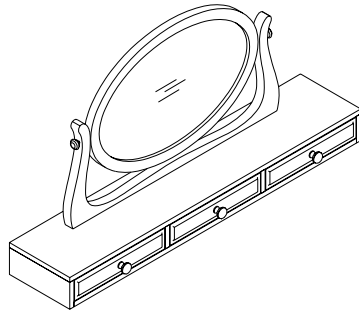
- Avoid direct sunlight and excessive temperatures.
- Dust often using a clean, soft, dry and lint-free cloth.
- Waxing is not recommended on lacquered finish.
- Hardware should be checked periodically for tightness.



Lilac Vanity Mirror Hutch

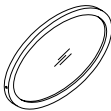
PRE-ASSEMBLY:

- Please read all instructions before beginning assembly.
- We recommend assembly by two adults.
- Save all packing materials until assembly is complete to avoid accidentally discarding smaller parts or hardware.
- An extra wooden knob is included for your convenience.

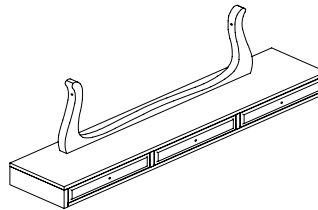


PARTS INCLUDED:

A – Mirror Frame – 1 pc

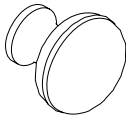


B – Mirror Arm Base – 1 pc



HARDWARE INCLUDED:

C - Wood Knobs - 3 pcs



D - Wood Knob Bolts - 3 pcs
(M4*28mm)



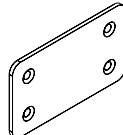
E - Connector Knob With Bolt - 2 pcs



F - Plastic Washers - 2 pcs
(6 x 19 x 3mm)



G - Mending plates – 2 pcs
(70 x 40mm)



H - Phillips Head Screws - 8 pcs
(#6*15mm)

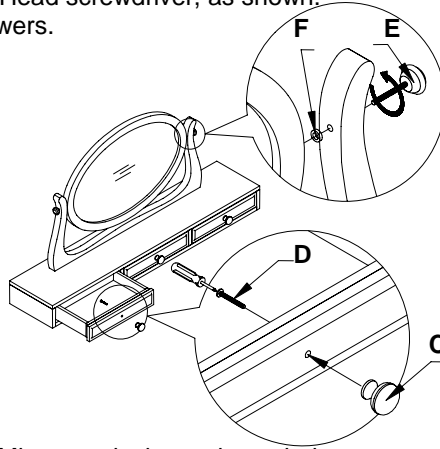


TOOLS REQUIRED (but not included):

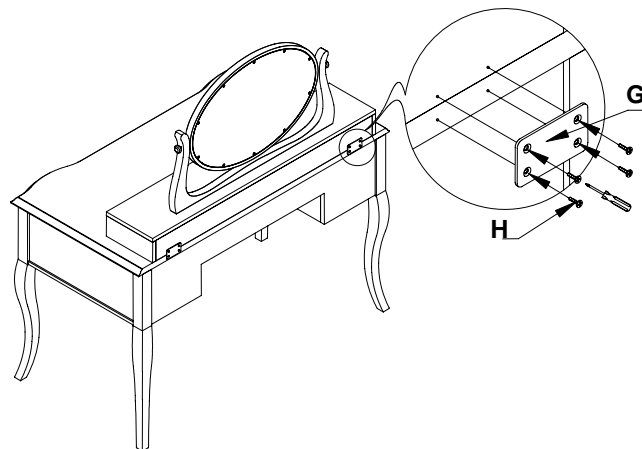
- Phillips Head Screwdriver

ASSEMBLY INSTRUCTIONS:

1. Place Mirror Arm Base (B) in upright position. As one person holds the Mirror (A) as shown, insert the Connector Knob With Bolt (E) through pre-drilled hole in the Mirror Arm Base (B). When the Connector Knob With Bolt exits the pre-drilled hole in the Mirror Arm Base (B), slide a Plastic Washer (F) onto the Connector Knob With Bolt and continue inserting the Connector Knob With Bolt into the pre-drilled hole in the Mirror Frame (A). Tighten by turning the Connector Knob With Bolt (E) clockwise.
2. Repeat with other side.
3. Attach Wooden Knobs (C) to drawers. Hold Wooden Knobs (C) over pre-drilled hole in drawer front. Screw Wooden Knob Bolt (D) through the rear of the drawer so that it enters the Wooden Knob (C). Tighten using Phillips Head screwdriver, as shown.
4. Repeat with other drawers.



5. Place the Assembled Mirror on desk, as shown below.
6. Using the Mending Plates (G) and Phillips Head Screws (H), affix the back of Assembled Mirror to the back of the Desk.
7. Align Assembled Mirror and Desk center to center, as shown below. Place the pre-drilled holes of the Mending Plate (G) over the pre-drilled holes in the back of Desk. Using a Phillips Head Screwdriver, insert the Phillips Head Screws (H) through the pre-drilled holes of the Mending Plate (G) and into the pre-drilled holes at the back of Desk and loosely tighten. Do not fully tighten until all screws are in place. Repeat for the other side.
8. For setting up the Desk, refer to Desk 's Assembly Instruction.
9. Hardware should be checked periodically for tightness.



CARE INSTRUCTIONS:

- Avoid direct sunlight and excessive temperatures.
- Dust often using a clean, soft, dry and lint-free cloth.
- Waxing is not recommended on lacquered finish.