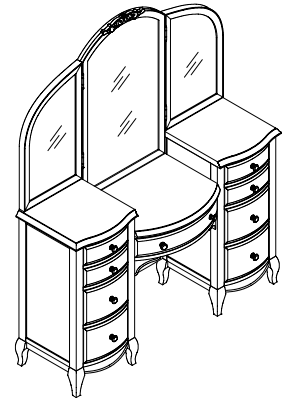




Lilac Vanity

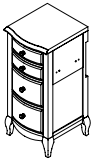


Pre-assembly:

- Please read all instructions before beginning assembly.
- Two-adult assembly is recommended.
- Save all packing materials until assembly is complete to avoid accidentally discarding smaller parts or hardware.

Parts included:

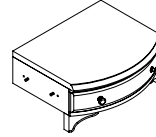
A – Left Cabinet – 1 pc



B – Right Cabinet – 1 pc



C – Center Drawer Unit – 1 pc



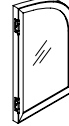
D – Center Mirror with panel – 1 pc



E – Left Mirror with hinge – 1 pc



F – Right Mirror with hinge – 1 pc



Hardware Included:

G – Hex Bolt – 11 pcs
(\varnothing 1/4"x32mm)



H – Spring Washer – 11 pcs
(\varnothing 1/4"x11mm)



I – Flat Washer – 11 pcs
(\varnothing 1/4"x15mm)



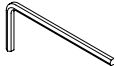
J – Mending Plate – 2 pcs
(70x40mm)



K – Phillip Head Screw – 16 pcs
(#6x15mm x 8 pcs in nickle color for Mending Plate)
(#7x15mm x 8 pcs in black color for Hinge)



L – Allen Key – 1 pc
(\varnothing 4x74x29mm)

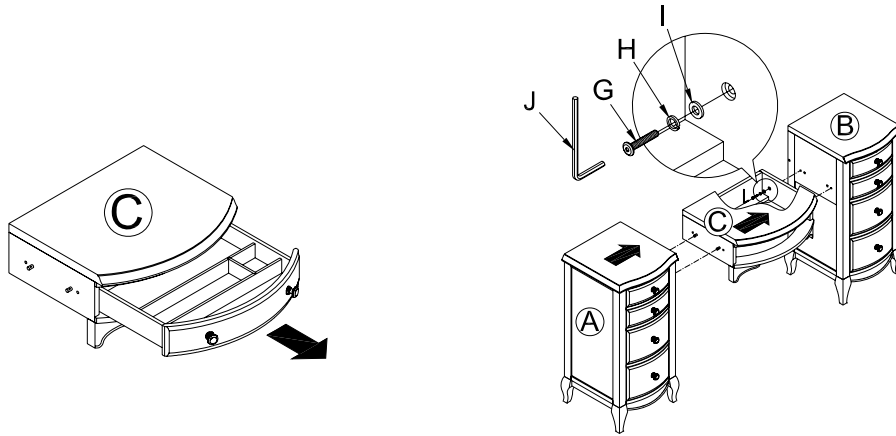


Tools Required:

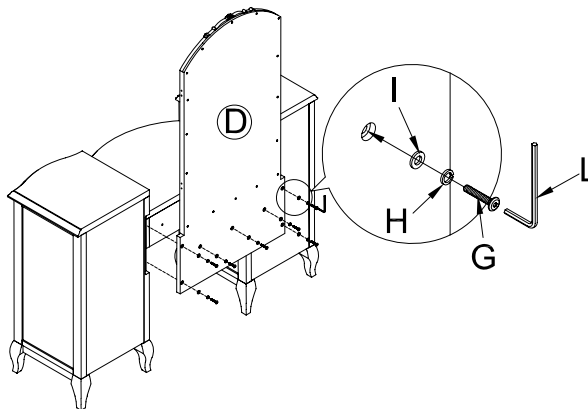
Phillip Head Screwdriver (not included). Do not use power drill as it may cause parts cracking.

Assembly:

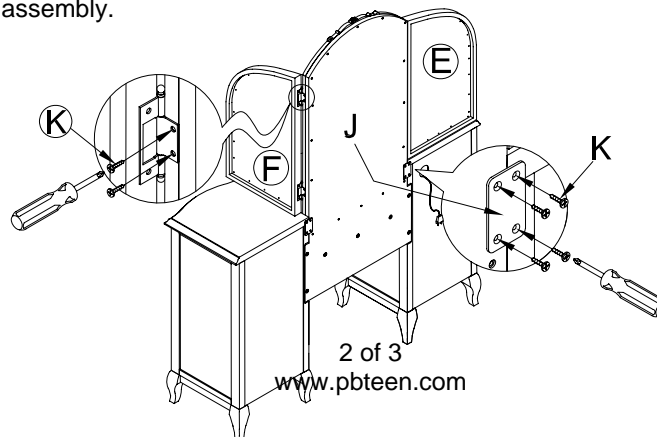
1. On a soft, scratch-free surface, such as a carpet or rug, remove all the parts from boxes.
2. Determine the desired location of the piece and prepare all parts there first.
3. Carefully remove the drawer from Center Drawer Unit (C) and assemble the Center Drawer Unit (C) to Right Cabinet (B). One adult should hold the Center Drawer Unit (C) while another adult inserts a Hex Bolt (G) with Spring Washer (H) and Flat Washer (I) through pre-drilled holes at inside of the Center Drawer Unit (C) into pre-drilled holes on Right Cabinet (B), as shown below. Tighten Hex Bolt (G) with Allen Key (L). Repeat for 2nd Hex Bolt (G).
4. Repeat Step 3 for the other side of Center Drawer Unit (C) and Left Cabinet (A) assembly.



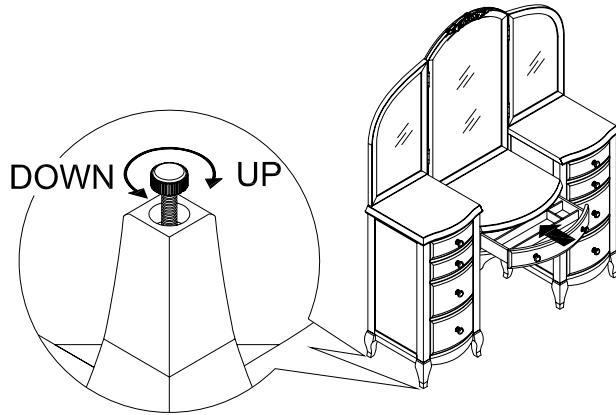
5. Assemble Center Mirror with Panel (D) to above assembled unit (Left Cabinet, Right Cabinet and Center Drawer Unit) by aligning pre-drilled holes on Center Mirror with Panel (D) to pre-drilled holes on the back of Center Drawer Unit (C). Insert a Hex Bolt (G) with Spring Washer (H) and Flat Washer (I) through pre-drilled holes on the back of Center Mirror with Panel (D) into pre-drilled holes on the back of Center Drawer Unit (C), as shown below. Tighten with the Allen Key (L). Repeat for the rest 6 Hex Bolts (G).



6. Align pre-drilled holes of Mending Plates (J) over pre-drilled holes on the back of Center Mirror with Panel (D) and the Left and Right Cabinets (A & B). Insert Phillips Head Screws (K) in nickel color through pre-drilled holes in Mending Plate (J) into pre-drilled holes on the back of Center Mirror with Panel (D) and Left and Right Cabinets (A & B). Tighten with a Phillips Head Screwdriver, as shown below. Periodically tighten all connections.
7. Attach Right Mirror with hinge (F) to Center Mirror with Panel (D) by inserting Phillips Screws (K) in black color through holes in the hinges of the Right Mirror (F) into pre-drilled holes on Center Mirror with Panel (D). Use a Phillips Screwdriver tighten all screws, as shown below. Repeat for Left Mirror with hinges (E) assembly.



8. Put the drawer back into Center Drawer Unit (C). Adjust recessed levelers located at the base of each leg to ensure whole unit is level.
9. Hardware should be checked periodically for tightness.



Care Instructions:

- Avoid direct sunlight and excessive temperatures.
- Dust often using a clean, soft, dry and lint-free cloth.
- Slightly moisten cloth with water. A damp cloth holds dust and prevents scratching.
- Waxing is not recommended on lacquered finish.