



Sleep/Study Loft Bed



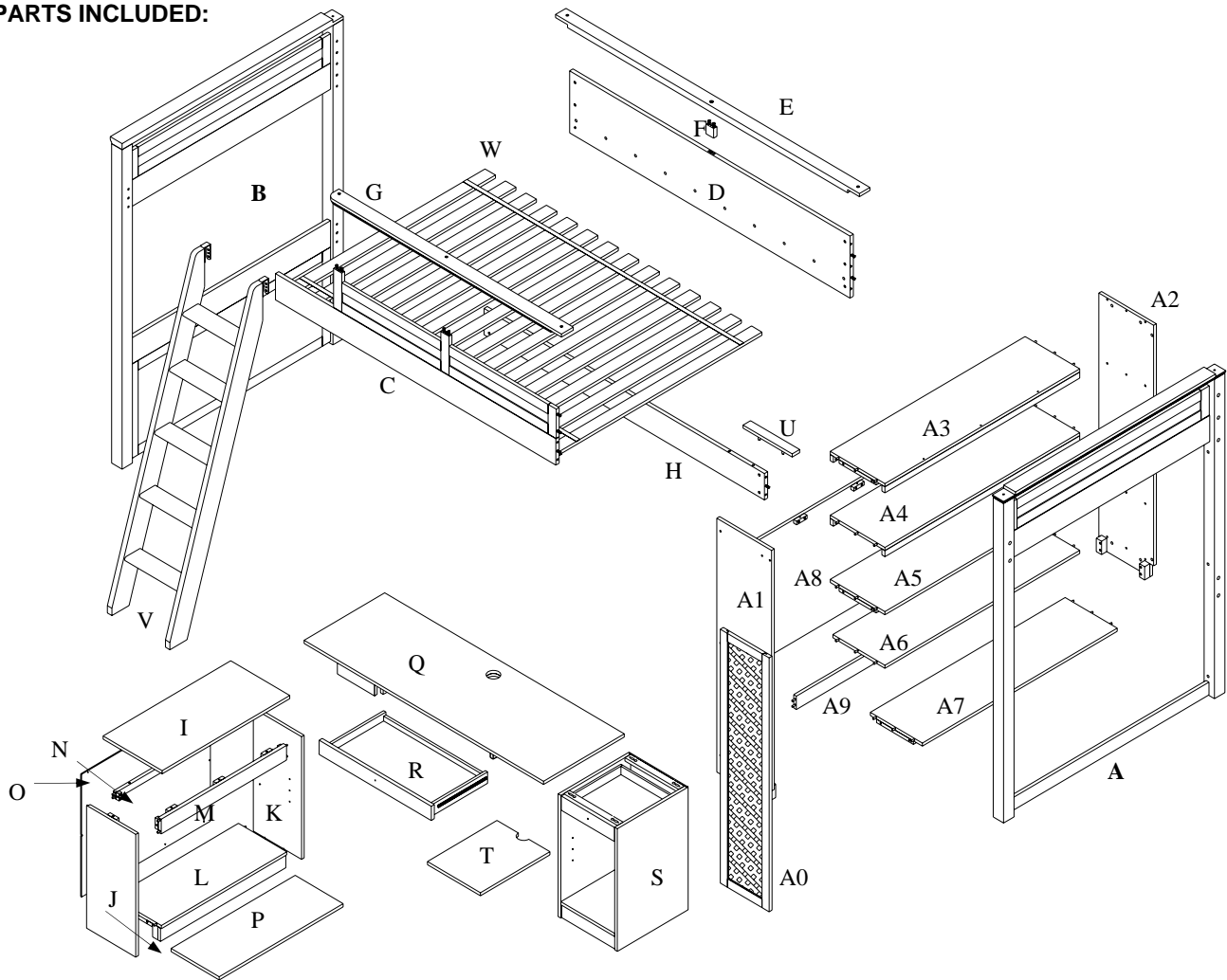
WARNING: Failure to follow these warnings and assembly instruction could result in serious injury or death.

- Read all instructions before assembling bunk bed. KEEP INSTRUCTIONS FOR FUTURE USE.
- Before each usage or assembly, inspect bunk bed for damaged hardware, loose joints, missing parts or sharp edges. DO NOT use bunk bed if any parts are missing or broken. Telephone or write to PBteen for replacement parts and instructional literature if needed. DO NOT substitute parts.
- Follow the information on the warning appearing on the upper bunk end structure and on the carton. DO NOT REMOVE WARNING LABEL FROM THE BED.
- Never allow a child under 6 years of age on upper bunk.
- Use only mattress which is 74"-75" long and 52.5"- 53.5" wide on upper bunk.
- Ensure thickness of mattress does not exceed 9" and mattress is at least 5" below upper edges or guardrails.
- Always use the recommended size mattress or mattress support, or both, to help prevent the likelihood of entrapment or falls.
- Surface of mattress must be at least 5 inches (127 mm) below the upper edge of the guardrails.
- Periodically check and ensure that the guardrail, ladder and other components are in their proper position, free from damage, and that all connectors are tight.
- Do not allow horseplay on or under the bed and prohibit jumping on the bed.
- Always use the ladder for entering and leaving the upper bunk.
- Use of a night light may provide added safety precautions for a child using the upper bunk.
- Always use guardrails on both long sides of the upper bunk.
- Prohibit more than one person on the upper bunk.
- If upper bunk bed will be placed next to a wall, the guardrail that runs the full length of the bed should be placed against the wall to prevent entrapment between the bed and the wall.
- If refinishing, use a non-toxic finish specified for children's products.
- STRANGULATION HAZARD – Never attach or hang items to any part of the bunk bed that are not designed for use with the bed; for example, but not limited to, hooks, belts, and jump ropes.
- The use of water or sleep flotation mattress is prohibited.

PRE-ASSEMBLY:

- Please read all instruction before beginning assembly. The illustrations provided allow for easier assembly when used in conjunction with the assembly instructions. Keep instructions for future use.
- Remove all parts and hardware from box and lay out on a carpeted or scratch-free work surface, as this will avoid damaging any parts during assembly. The shipping box provides an ideal work surface. Do not dispose of any contents until assembly is completed to avoid accidentally discarding small parts or hardware.
- Three adults are recommended for ease of assembly
- Use the parts and hardware lists to identify and separate each of the pieces included prior to starting assembly.
- Note: Do not fully tighten all bolts until all parts are in place. Failure to follow these instructions may cause the bolts to misalign during assembly.
- The use of power tools for assembly is not recommended. Power tools can damage hardware or split wood.

PARTS INCLUDED:



A0 – Cork Board – 1pc

A1 – Left Panel (of bookcase) – 1pc

A2 – Right Panel (of bookcase) – 1pc

A3 – Top Bookcase – 1pc

A4 – Lower Top Shelf – 1pc

A5 – Centre Shelf – 1pc

A6 – Upper Base Shelf – 1pc

A7 – Base Shelf – 1pc

A8 – Back Panel – 1pc

A9 – Back Rail – 1pc

A - Headboard – 1pc

B - Footboard – 1pc

C - Front Rail – 1pc

D - Back Rail – 1pc

E - Back Guard Rail – 1pc

F - Supporter - 1pc


G - Front Guard Rail - 1pc

H - Back Bottom Rail – 1pc

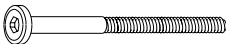





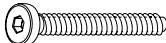
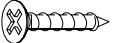
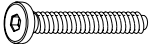




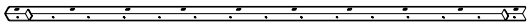

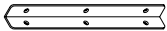
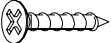
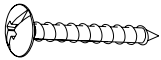
- I - Shelf Desk Top Panel – 1pc
- J - Shelf Desk Side Panel with Mounted Cleat – 1pc
- K - Shelf Desk Side Panel – 1pc
- L - Shelf Desk Bottom Panel – 1pc
- M - Shelf Desk Front Rail – 1pc
- N - Shelf Desk Back Rail – 1pc
- O - Shelf Desk Back Panel: 1pc
- P - Adjustable Shelf: 1pc

- Q - Desk Top – 1pc
- R - Keyboard Tray – 1pc
- S - Cabinet – 1pc
- T - Adjustable Shelf with cable cut out – 1pc
- U - Block with plastic insert
- V - Ladder – 1pc
- W - Slat Roll – 1 set

TOOLS REQUIRED (but not included):

- Phillips Head Screwdriver (not included) 

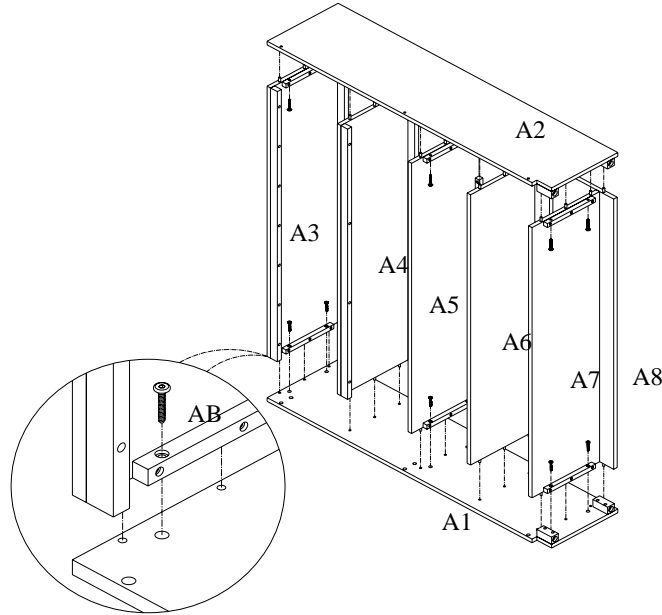
HARDWARE ENCLOSED:

- | | | | |
|--|---|---------------------------------|---|
| (X) 5/16" x 5" Allen Bolts - 14 pcs |  | (AD) 3/16" x 1-1/4" Screw – 1pc |  |
| (Y) 1/4" x 4" Allen Bolts - 1 pc |  | (AF) Knob with bolt - 1pc |  |
| (Z) Barrel Nuts - 14 pcs |  | (AG) Shelf Support - 8pcs |  |
| (Z1) 1/4" x 2" Allen Bolts – 2 pc |  | (AH) #8 x 20mm Screws - 50pcs |  |
| (AA) 1/4" x 1-1/2" Allen Bolts - 9 pcs |  | (AI) 4mm Allen key - 1pc |  |
| (AB) 1/4" x 1" Allen Bolts - 37 pcs |  | (AJ) 5mm Allen key - 1pc |  |
| (AC) 1/4" x 0.6" Bolts - 20pcs |  | (AK) Metal Support Rails – 2pcs |  |
| (AE) Knob - 1pc |  | (AL) Metal Bracket – 2pcs |  |
| (AM) #8 x 30mm Screws - 3pcs |  | (AN) #8 x 50mm Screws - 3pc |  |

ASSEMBLY INSTRUCTIONS:

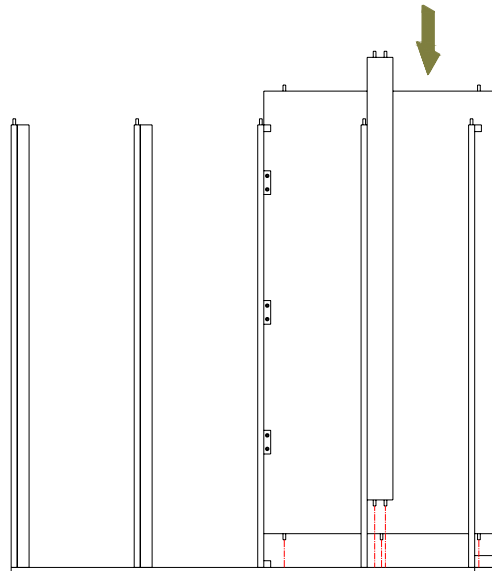
1. Place Left Panel (A1) on the ground as shown below with pre-drilled holes facing up. Align wooden dowels on Top Bookcase (A3) to the first set of pre-drilled holes on Left Panel (A1), insert 2, 1/4" x 1" Allen Bolts (AB) through the cleat of the shelf and into the pre-drilled holes on the Left Panel (A1), tighten with the 5mm Allen Key (AJ) as shown below in Figure 1. Repeat for Center Shelf (A5) and the Base Shelf (A7). The Lower Top Shelf (A4) and Upper Base Shelf (A6) do not require Allen Bolts; align the pre-attached dowels on the shelves to the pre-drilled holes on Left Panel (A1) as shown below in Figure 1.

Figure 1



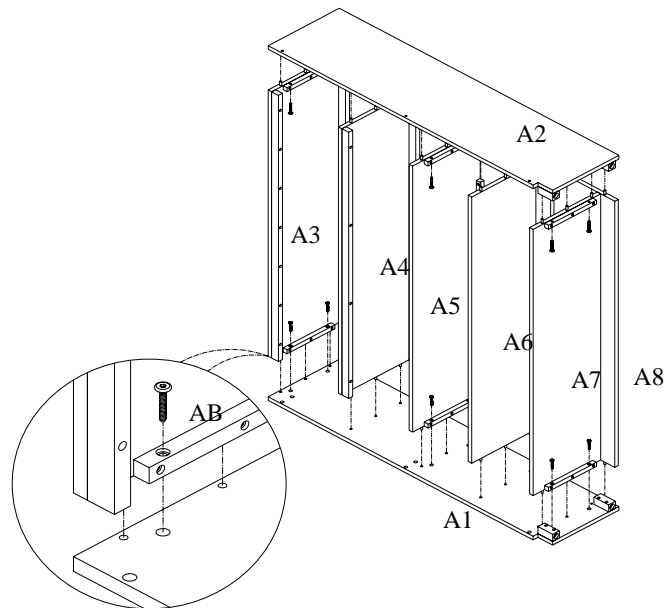
2. Attach the Back Panel (A8) and Back Rail (A9) by aligning the pre-attached wooden dowels on Back Panel (A8) and Back Rail (A9) to the pre-drilled holes on Left Panel (A1) as shown below in Figure 2. PLEASE NOTE: Both Back Panel (A8) and Back Rail (A9) do not require Allen Bolts.

Figure 2



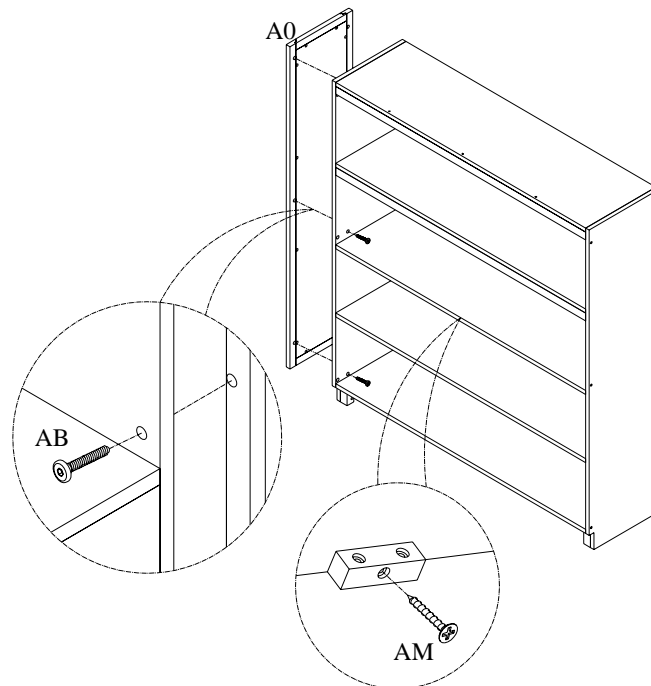
- Align the pre-drilled holes on the Right Panel (A2) to the pre-attached wooden dowels on all 5 shelves, insert 2, 1/4" x 1" Allen Bolts (AB) through the cleat of Top Bookcase (A3) and into Right Panel (A2), tighten with the 5mm Allen Key (AJ) as shown below in Figure 3. Repeat for Center Shelf (A5) and the Base Shelf (A7). The Lower Top Shelf (A4) and Upper Base Shelf (A6) do not require Allen Bolts.

Figure 3



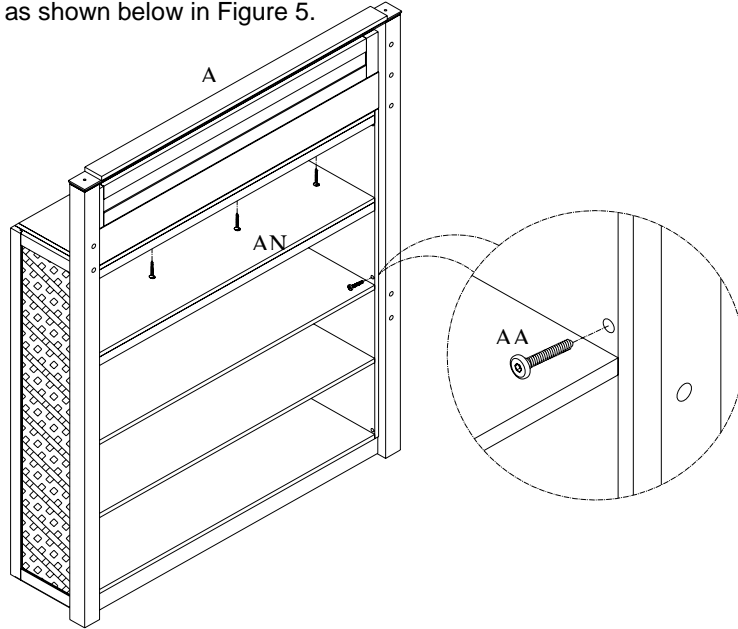
- Stand assembled bookcase upright; align the pre-drilled holes on the back of the Cork Board (A0) with the pre-drilled holes on the assembled Left Panel (A1). Insert 6, 1/4" x 1" Allen Bolts (AB) through the Cork Board (A0) and into the Left Panel (A1); tighten with the 5mm Allen Key (AJ) as shown below.

Figure 4



5. Align the pre-drilled holes in the Headboard (A) with the pre-drilled holes on the assembled bookcase. Insert 3, #8 x 50mm Screws (AN) through the top of the Headboard (A) and into the assembled bookcase; tighten with the 5mm Allen Key (AJ) as shown below in Figure 5.
6. Insert 6, 1/4" x 1-1/2" Allen Bolts (AA) through the pre-drilled holes on the sides of the Headboard (A), tighten with the 5mm Allen Key (AJ) as shown below in Figure 5.

Figure 5



7. With 3 adults, attach the Front Rail (C) to the Headboard (A) and Footboard (B) by having one adult hold the Headboard (A), another hold the Footboard (B), and the third align the pre-attached wooden dowels on both ends of the Front Rail (C) into the pre-drilled holes on the Headboard (A) and Footboard (B). Once Front Rail (C) is attached to the Headboard and Footboard with the wooden dowels insert 4 Barrel Nuts (Z) into the pre-drilled holes on the interior sides of the Front Rail (C), as shown below in Figure 6.1. **PLEASE NOTE:** Make sure the holes of the Barrel Nuts (Z) are facing toward the pre-drilled hole on the end of Front Rail (C) so the Allen Bolts will slide in.
8. Insert 2, 5/16" x 5" Allen Bolts (X) through the pre-drilled holes on the post of Headboard (A) and into the Barrel Nuts (Z) inserted in the Front Rail (C); loosely tighten with the 5mm Allen Key (AJ). Do not securely tighten the bolts in this step. Repeat with 2 more 5/16" x 5" Allen Bolts (X) through the pre-drilled holes on the post of the Footboard (B) as shown below.

Figure 6

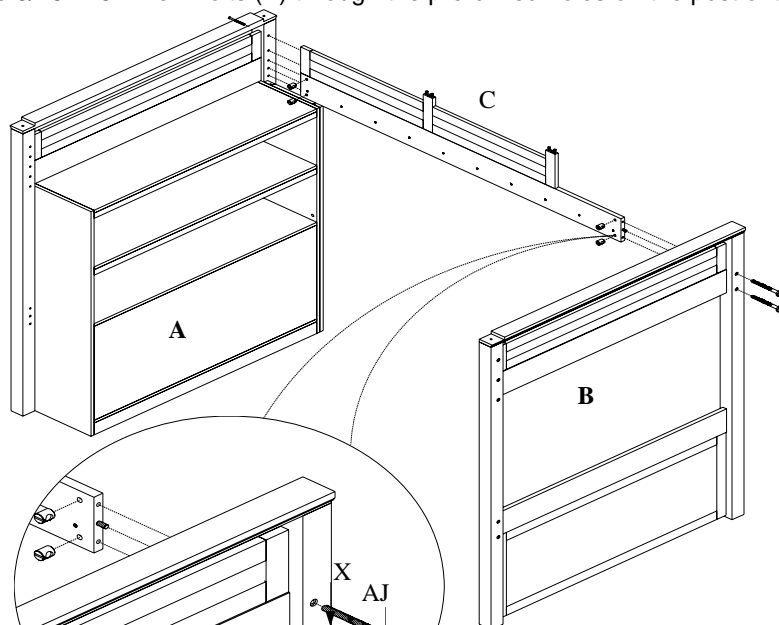
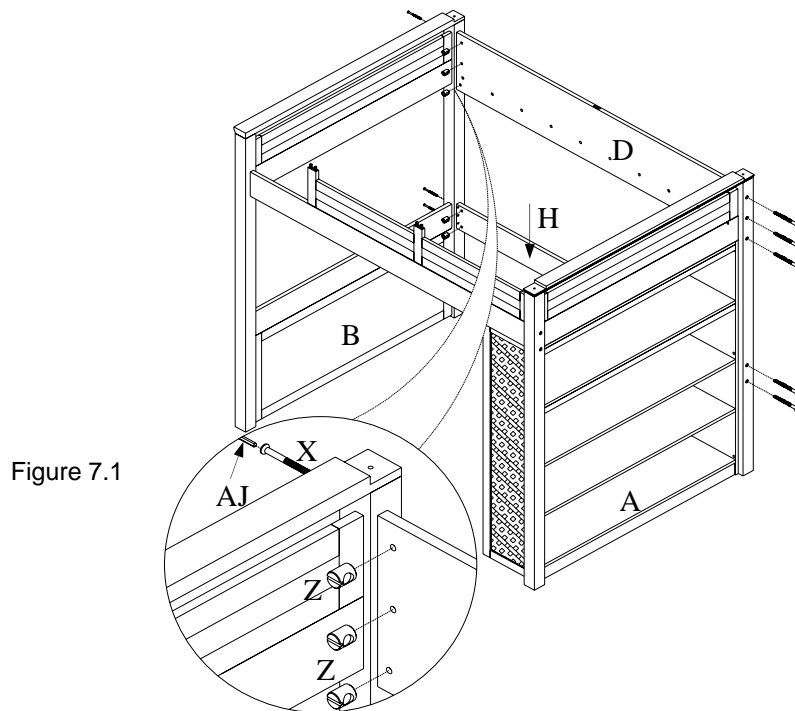


Figure 6.1

Z

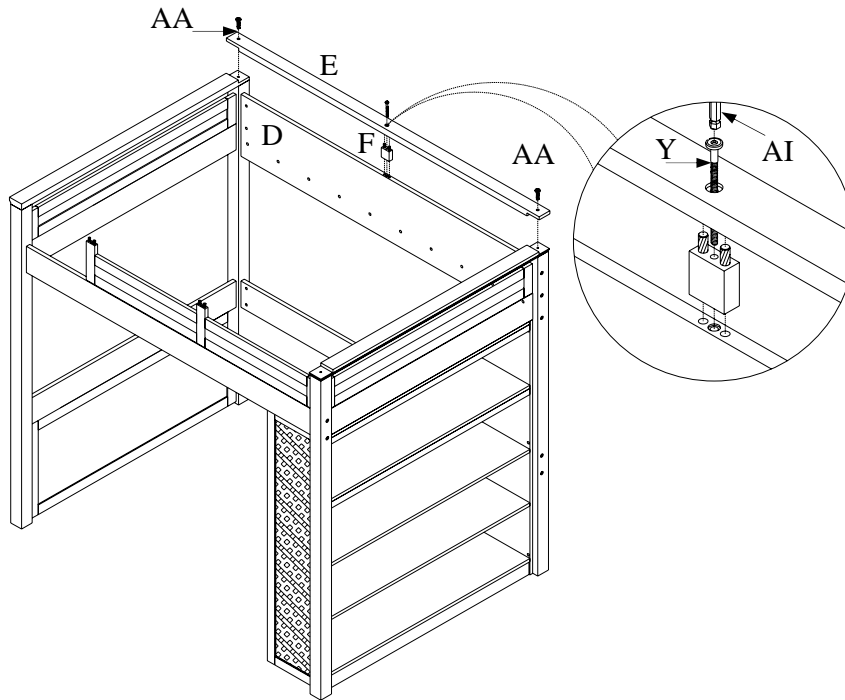
9. Align the pre-attached wooden dowels on both ends of the Back Rail (D) into the pre-drilled holes on the Headboard (A) and Footboard (B). Once Back Rail (D) is attached to the Headboard and Footboard with the wooden dowels insert 6 Barrel Nuts (Z) into the pre-drilled holes on the interior sides of the Back Rail (D), as shown below in Figure 7.1. **PLEASE NOTE:** Make sure the holes of the Barrel Nuts (Z) are facing toward the pre-drilled hole on the end of Back Rail (D) so the Allen Bolts will slide in.
10. Insert 3, 5/16" x 5" Allen Bolts (X) through the pre-drilled holes on the post of Headboard (A) and into the Barrel Nuts (Z) in the Back Rail (D); loosely tighten with the 5mm Allen Key (AJ). Do not securely tighten the bolts in this step. Repeat with 3 more 5/16" x 5" Allen Bolts (X) through the pre-drilled holes on the post of the Footboard (B) as shown below.
11. Repeat steps 10 and 11 for the Back Bottom Rail (H) making sure to use 4 Barrel Nuts (Z) and 4, 5/16" x 5" Allen Bolts (X). Securely tighten all bolts that were assembled in Steps 7-11 with the 5mm Allen Key (AJ).

Figure 7



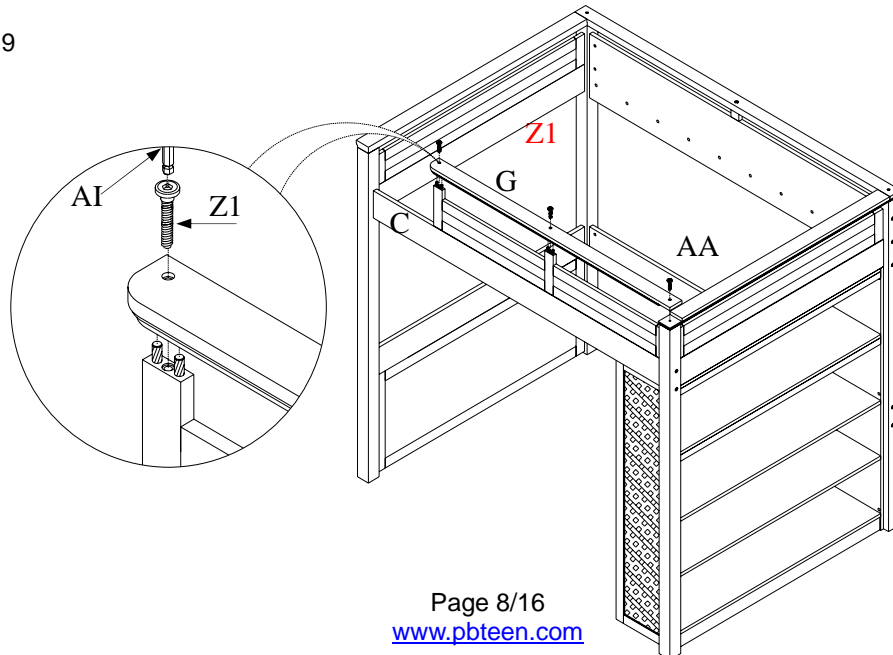
12. Attach the Supporter (F) to the Back Rail (D) by inserting the pre-attached wooden dowels of the Supporter (F) into the pre-drilled holes on the Back Rail (D), as shown below in Figure 8. Then, attach the Back Guard Rail (E) to the Headboard (A) and Footboard (B) by aligning the pre-drilled holes on the Back Guard Rail (E) to the pre-drilled holes on the top of the Headboard (A), Footboard (B) and Supporter (F) posts. Insert 1, 1/4" x 4" Bolt (Y) through the pre-drilled hole at center of Back Guard Rail (E) into the pre-drilled hole on the Supporter (F) and the Back Rail (D). Loosely tighten with the 4mm Allen Key (AI). Then, insert 2, 1/4" x 1-1/2" Allen Bolts (AA) into the pre-drilled holes at both ends of the Back Guard Rail (E) and into the pre-drilled holes on the top of the posts of the Headboard (A) and Footboard (B). Once all bolts are in place, fully tighten them using the 4mm Allen Key (AI).

Figure 8



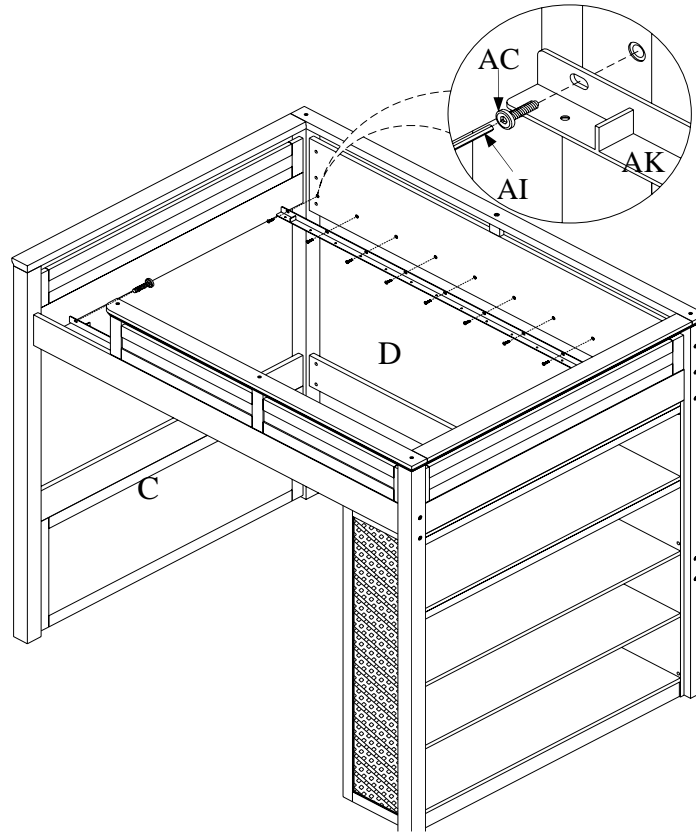
13. Attach the Front Guard Rail (G) onto the Front Rail (C) by inserting the pre-attached wooden dowels on the posts of the Front Rail (C) into the pre-drilled holes on the Front Guard Rail (G) as shown below. Insert 1, 1/4" x 1-1/2" Allen Bolt (AA) into the pre-drilled hole in the center and 2, 1/4" x 2" Allen Bolts (Z1) into the pre-drilled holes at both ends of the Front Guard Rail (G). Once all bolts are in place, fully tighten them using the 4mm Allen Key (AI).

Figure 9



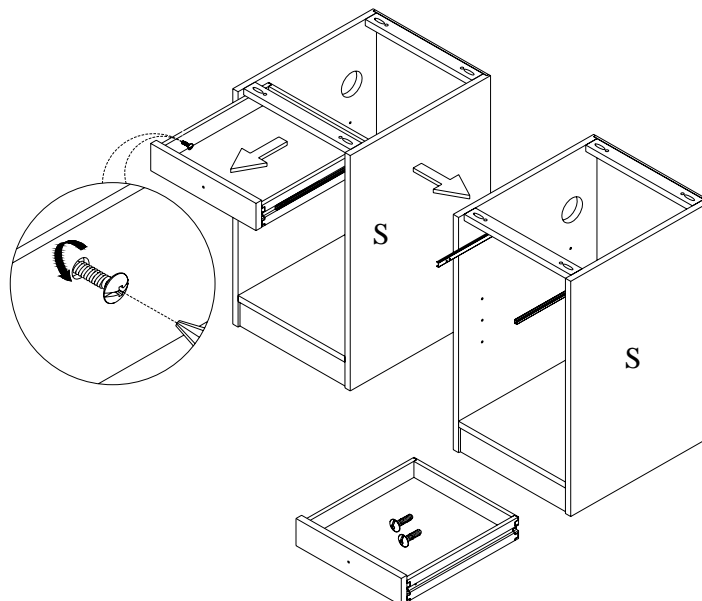
14. While one adult holds the Metal Support Rail (AK) in place, as shown below, another adult must insert 10, 1/4" x 0.6" Allen Bolts (AC) through the pre-drilled holes of the Metal Support Rail (AK) and into the pre-drilled holes of the Back Rail (D). Loosely tighten with 4mm Allen key (AI). Once all the 1/4" x 0.6" Allen bolt (AC) are in place fully tighten. Repeat the same step for assembling the other Metal Support Rail (AK) to Front Rail (C) as shown below in Figure 10.

Figure 10



15. To remove the drawer from Cabinet (S) pull out the drawer as far as it will go without using force. Using a Phillips Head Screwdriver turn the screw counter-clockwise until the drawer is removed from the drawer runners, as shown below in Figure 11.

Figure 11



16. Place the Cabinet (S) at the corner between the Back Bottom Rail (H) and the Headboard (A), as shown in Figure 12. Lay the Desk Top (Q) on top of the Cabinet (S), as shown below in Figure 13. Insert 4, 1/4" x 1" Bolts (AB) through the pre-drilled holes on the rails of Cabinet (S) and into the Desk Top (Q), tighten with the 4mm Allen Key (AI) as shown below in Figure 13.

Figure 12

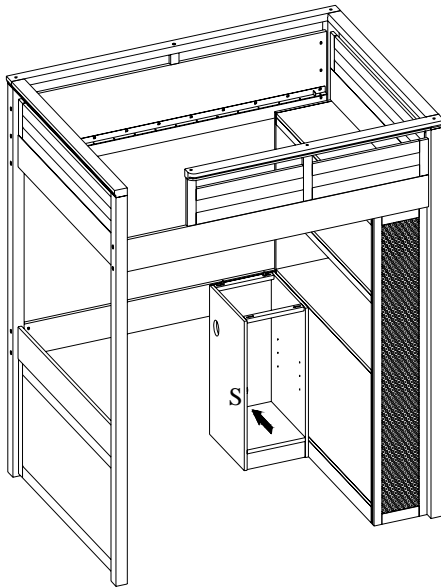
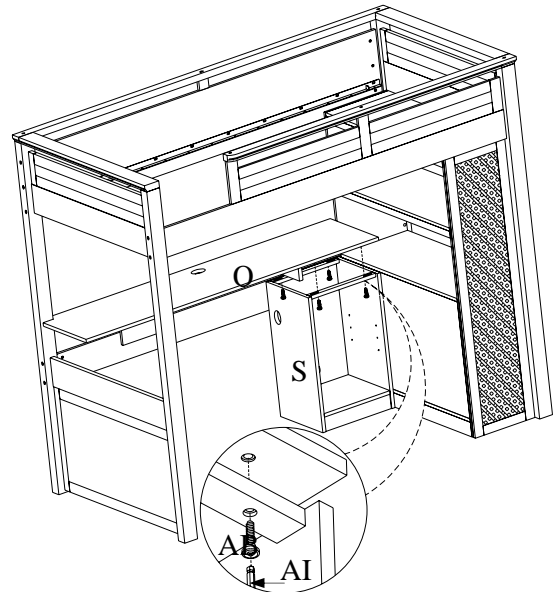


Figure 13



17. Carefully re-insert the drawer back into the Cabinet (S). Re-attach the 2 screws by inserting them into the pre-drilled holes of the drawer and into the drawer runner of Cabinet (S) and tighten, as shown below in Figure 14. Next, attach the Knob (AE) to the drawer by placing the Knob (AE) over the pre-drilled hole on the drawer front, insert a 3/16" x 1-1/4" Screw (AD) through the pre-drilled hole on the interior of the drawer front and into the Knob (AE), tighten with a Phillips Head Screwdriver, as shown in below in Figure 15.

Figure 14

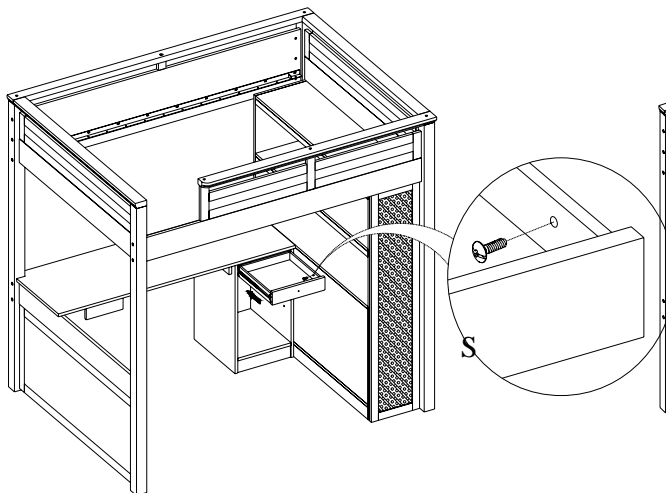
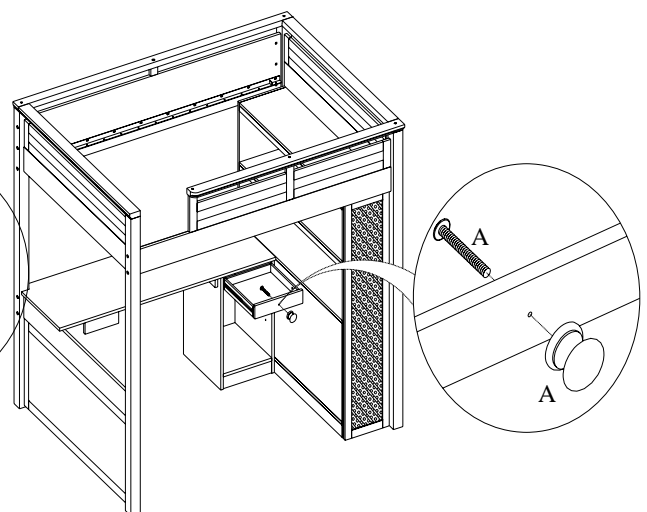
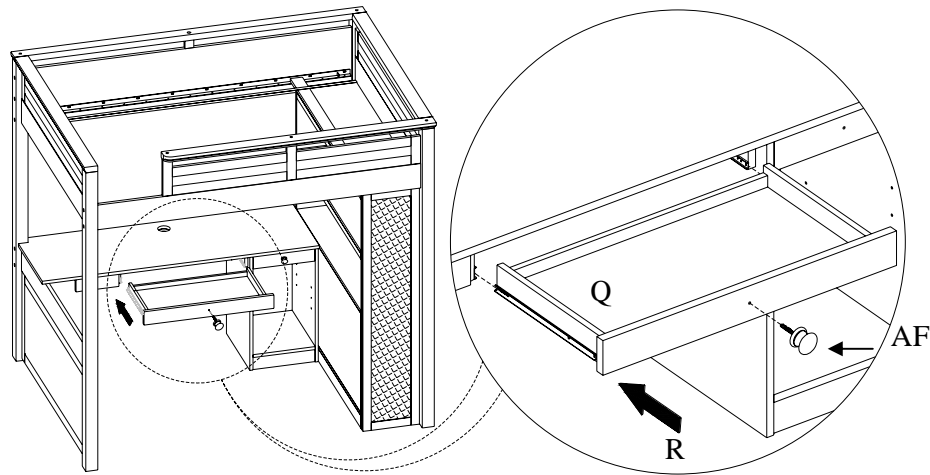


Figure 15



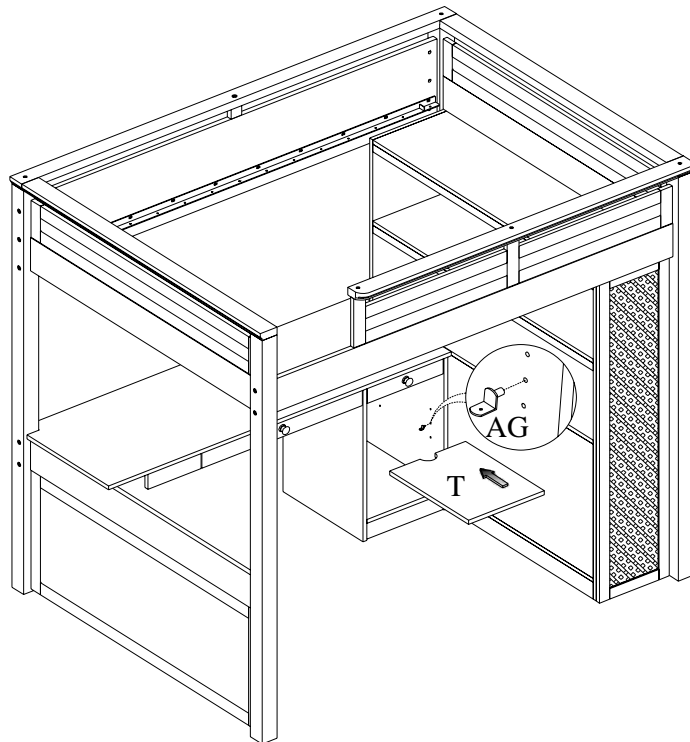
18. Attach the Keyboard Tray (R) to the Desk Top (Q) by inserting the glides, which are pre-mounted on both sides of the Keyboard Tray (R), into the runner, which is pre-assembled on the Desk Top (Q). Push the Keyboard Tray (R) in until the lock stick of the glide on the Keyboard Tray (R) stays inside the runner on the Desk Top (Q), as shown in Figure 16. Attach Knob with Bolt (AF) into the pre-drilled hole on the front panel of the Keyboard Tray (R).

Figure 16



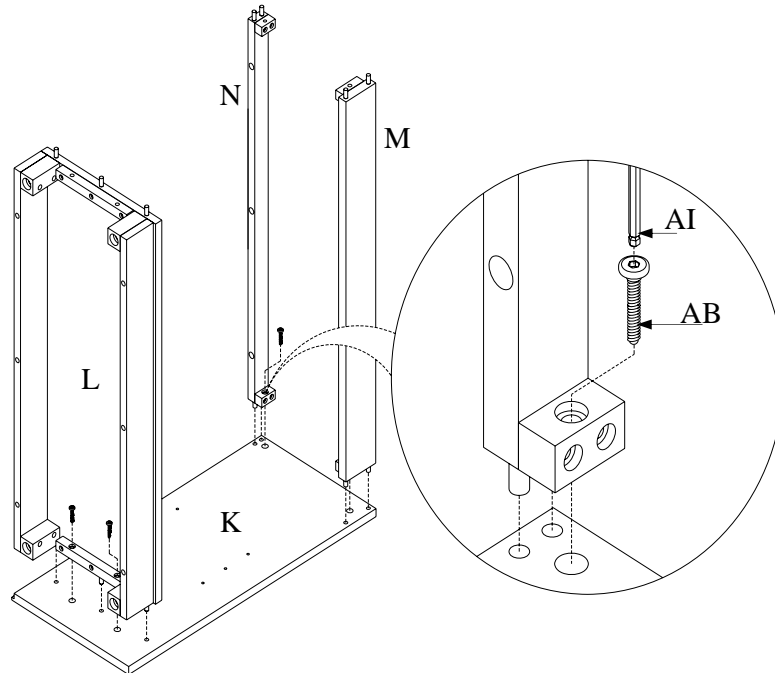
19. To install the Adjustable Shelf with Cable Cut Out (T) insert 4, Shelf Supports (AG) into the pre-drilled holes on the interior side panels of the Cabinet (S) at the desired height making sure the 4 Shelf Supporters are aligned. Carefully place the Adjustable Shelf with Cable Cut Out (T) onto the Shelf Supports (AG) with the cut out facing to the back as shown below in Figure 17.

Figure 17



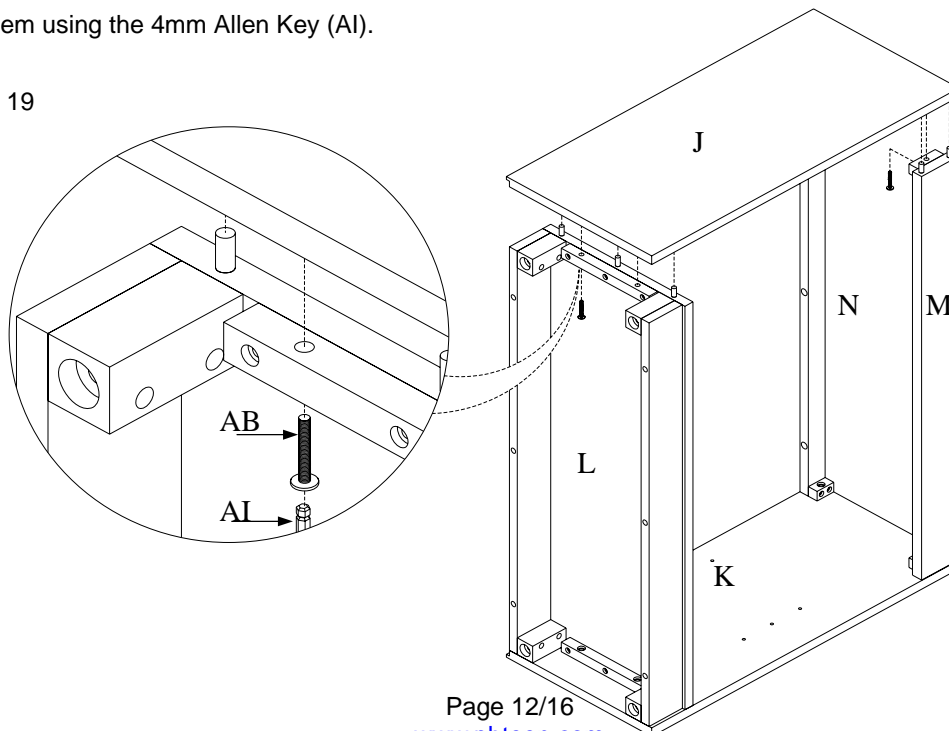
20. Lay the Shelf Desk Side Panel (K) on the ground with pre-drilled holes facing up as shown below. Attach the Shelf Desk Bottom Panel (L) to the Shelf Desk Side Panel (K) by inserting the pre-attached wooden dowels on the Shelf Desk Bottom Panel (L) into the pre-drilled holes on the Shelf Desk Side Panel (K). Insert 2, 1/4" x 1" Allen Bolt (AB) through the pre-drilled holes on the cleat of Shelf Desk Bottom Panel (L), and into the Shelf Desk Side Panel (K), as shown below in Figure 16. Tighten with the 4mm Allen Key (AI). Repeat this step for Shelf Desk Front Rail (M) and Shelf Desk Back Rail (N) using Figure 18 as a guide.

Figure 18



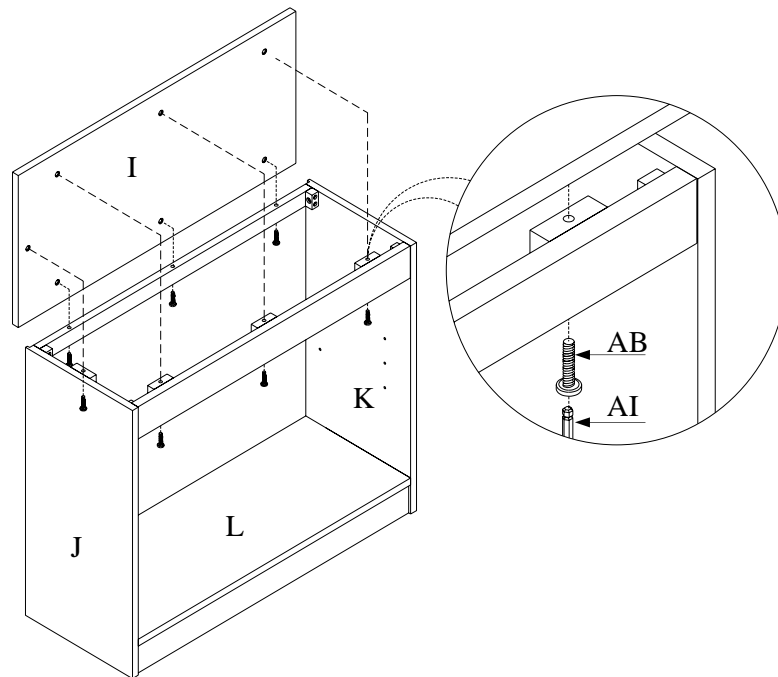
21. Place the Shelf Desk Side Panel with Mounted Cleat (J) on top of the assembled structure, as shown below. Insert the pre-attached wooden dowels on the Shelf Desk Bottom Panel (L), Shelf Desk Front Rail (M) and the Shelf Desk Back Rail (N) into the pre-drilled holes on the Shelf Desk Side Panel with Mounted Cleat (J) as shown below. Insert 4, 1/4" x 1" Allen Bolts (AB) through the 2 pre-drilled holes on the cleats of the Shelf Desk Bottom Panel (L), and the pre-drilled hole on both the Shelf Desk Front Rail (M) and the Shelf Desk Back Rail (N) and into the the pre-drilled holes of the Shelf Desk Side Panel with Mounted Cleat (J). Once all bolts are in place, fully tighten them using the 4mm Allen Key (AI).

Figure 19



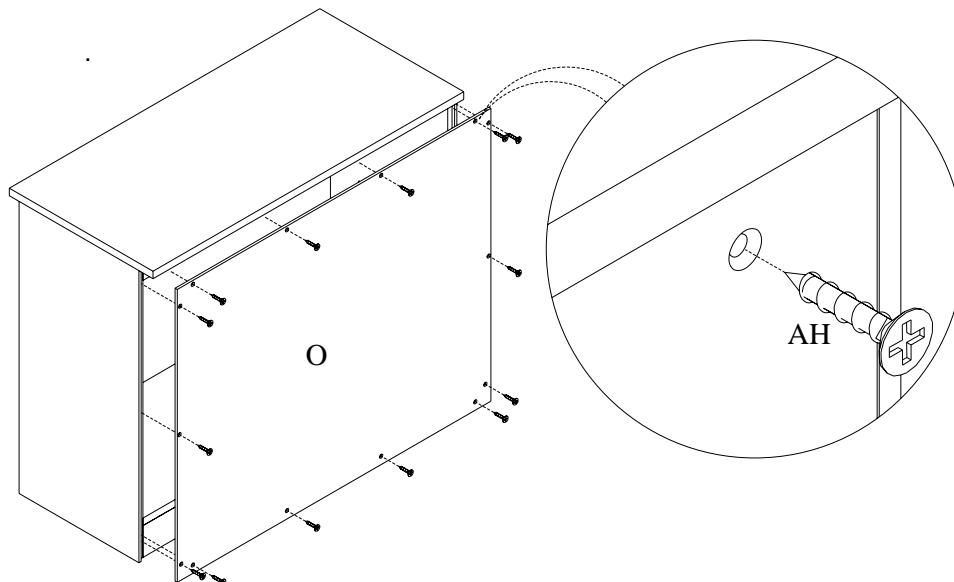
22. Turn the assembled parts upright. Place the Shelf Desk Top Panel (I) on top of assembled structure, as shown below Figure 20. Align the pre-drilled holes of the Shelf Desk Top Panel (I) with the pre-drilled holes of the assembled structure. Insert 7, 1/4" x 1" Allen Bolt (AB) through the pre-drilled holes of assembled structure into the pre-drilled holes of the Shelf Desk Top Panel (I), tighten with the 4mm Allen Key (AI).

Figure 20



23. Align the pre-drilled holes on the Shelf Desk Back Panel (O) to the back of the assembled unit. Insert 14, #8 x 20mm Screws (AH) through pre-drilled holes of the Shelf Desk Back Panel (O) and into the unit; tighten with a Phillips Head Screwdriver.

Figure 21



24. Place the assembled Shelf Desk beside the post of Footboard (B), as shown in below in Figure 22. To install the Adjustable Shelf (P), insert 4, Shelf Supports (AG) into the pre-drilled holes on the interior side panels of the Shelf Desk at the desired height making sure the 4 Shelf Supporters are aligned. Carefully place the Adjustable Shelf (P) onto the Shelf Supports (AG) as shown below in Figure 23.

Figure 22

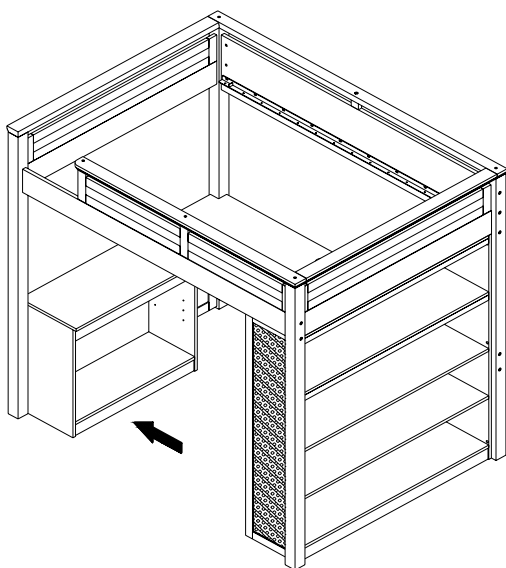
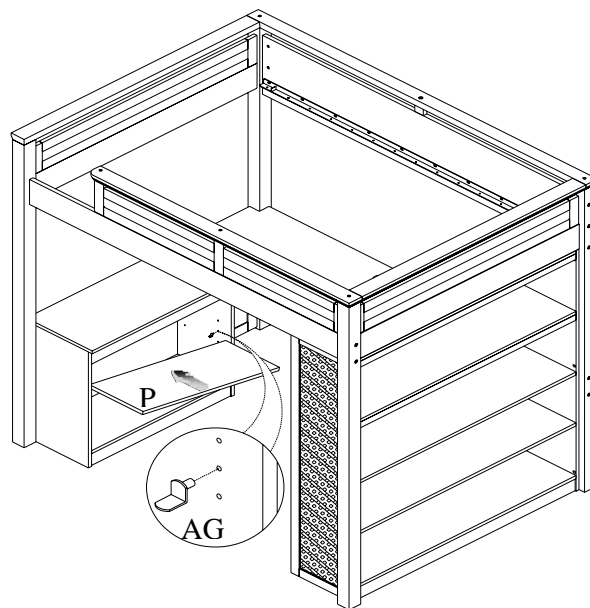
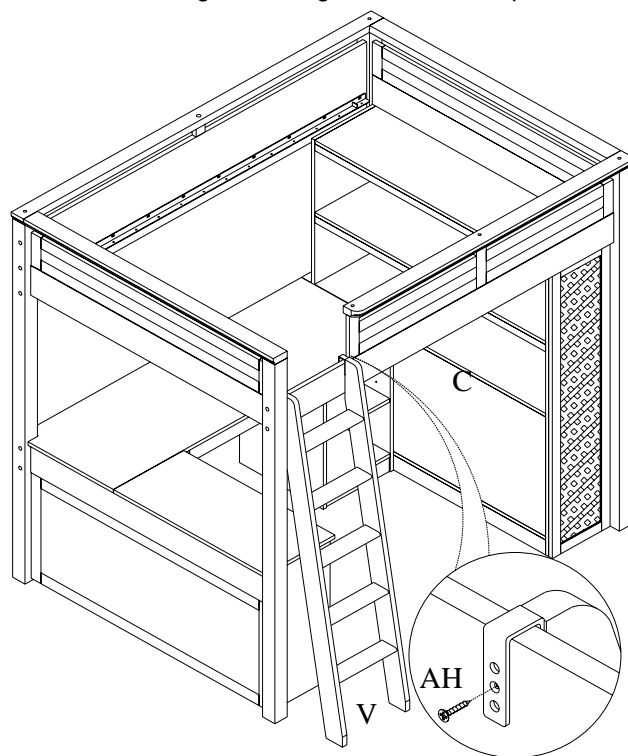


Figure 23



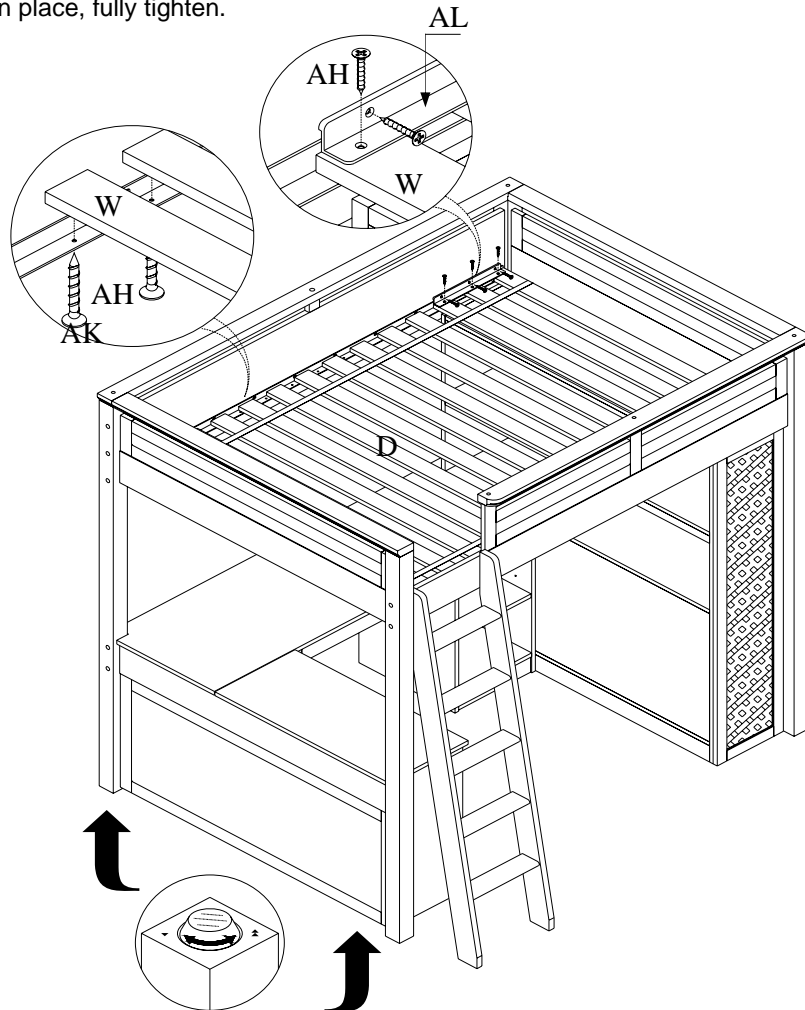
25. Fasten the Ladder (V) to the Front Rail (C) by placing the bracket of the Ladder (V) over the ledge of the Front Rail (C) and insert 2, #8 x 20mm Screws (AH) through the pre-drilled holes of the brackets on the Ladder (V) and into the Front Rail (C), as shown below in Figure 24. Tighten with a Phillips Head Screwdriver.

Figure 24



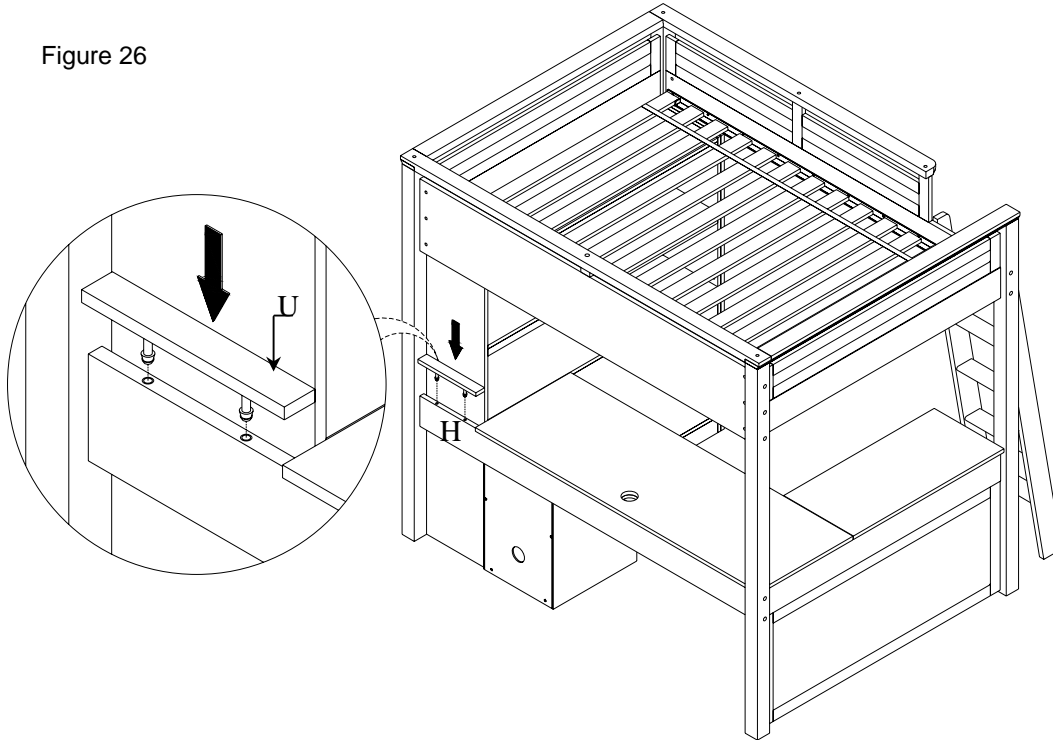
26. Lay the Slat Roll (W) down onto the Metal Support Rails (AK) you previously attached to the inner ledges of the Front Rail (C) and Back Rail (D) in Step 14. Place the Metal Bracket (AL) on top of the left 3 slats located above the bookshelf of Headboard (A) as shown below in Figure 25. Insert 3, #8 x 20mm Screws (AH) through the pre-drilled holes on the Metal Bracket (AL) and into the Back Rail (D). Loosely tighten with a Phillips Head Screwdriver. Insert 3, #8 x 20mm Screws (AH) through the pre-drilled holes of the Metal Bracket (AL) into the slats and loosely tighten with a Phillips Head Screwdriver. Repeat on the other side attaching the other Metal Bracket (AL) on top of the right 3 slats located above the bookshelf of Headboard (A).
27. Attach all the other slats of the Slat Roll (W) by inserting the 22, #8 x 20mm Screws (AH) through the pre-drilled holes on the Metal Support Rail (AK) into the Slat Roll (W) as shown below in Figure 25. Once all #8 x 20mm Screws (AH) are in place, fully tighten.

Figure 25



28. Place the Block (with plastic insert) (U) into the pre-drilled holes on the Back Bottom Rail (H) as shown below in Figure 26.

Figure 26



PLEASE NOTE: If your floor is not perfectly even, the furniture may not sit level and cause it to wobble. If the piece wobbles, determine which corner does not touch the ground correctly. With two people follow these steps:

- Carefully elevate the item slightly to provide access to the levelers attached to the bottom (shown in Figure 25 above).
- Turn the levelers in a counter-clockwise direction.
- Gently set down the piece and check stability.
- Repeat steps until the furniture sits firmly on the ground.

CARE INSTRUCTIONS:

- Dust often using a soft, dry cloth.
- Do not use glass cleaner, abrasives, wax or household cleaners on wood.
- Check fasteners periodically for tightness. Do not over tighten; this may cause distortion or breakage.