

HAMPTON BEDSIDE TABLE

ASSEMBLY INSTRUCTION



Important safety instructions:

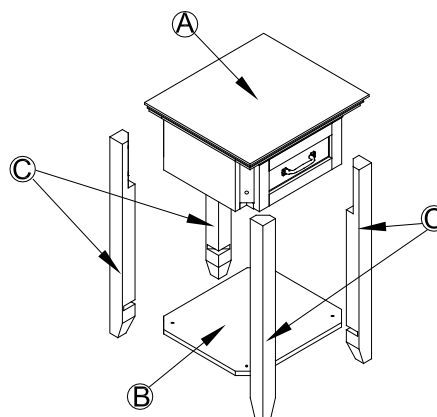
- Please read all all instruction carefully before assembling this bedside.
- For your safety, assembly by two or more adults is strongly recommended.
- Keep these instructions for future use.
- Use only vendor-supplied hardware to assembly this item. Using unauthorized hardware could jeopardize the structural integrity of the item.

Pre- assembly:


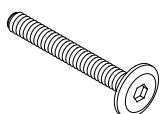


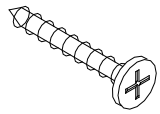
- Remove all parts and hardware from the box and place them on a carpeted or scratch-free work surface. The shipping box provides an ideal work surface.
- To avoid accidentally discarding small parts or hardware, please do not dispose of any contents until assembly is complete.
- Two people are recommended for your safety and ease of assembly.
- Prior to starting the assembly, use the parts and hardware lists to identify and separate each of the pieces included.
- The illustrations provided allow for easier assembly when used in conjunction with the assembly instructions.
- Note: Do not fully tighten any of the bolts until all parts are in place. Failure to follow these instructions may cause the bolts to misalign during assembly.
- Please use caution if using power tools to aid in assembly. Power tools can damage the hardware or split the wood.

Parts included:

- A – Top with Drawer (x1)
- B – Shelf (x1)
- C – Legs (x4)



Hardware included:

D – Ball Tip Allen Key	E – Hex Bolt	F – Spring Washer	G – Flat Washer
			
Included	5/16"x44x15 (mm)	5/16"x13 x2 (mm)	5/16"x18□x2 (mm)
1pc	8pcs	8pcs	8pcs
H – Phillip's head screw			
			
8x38 (mm)			
4pcs			

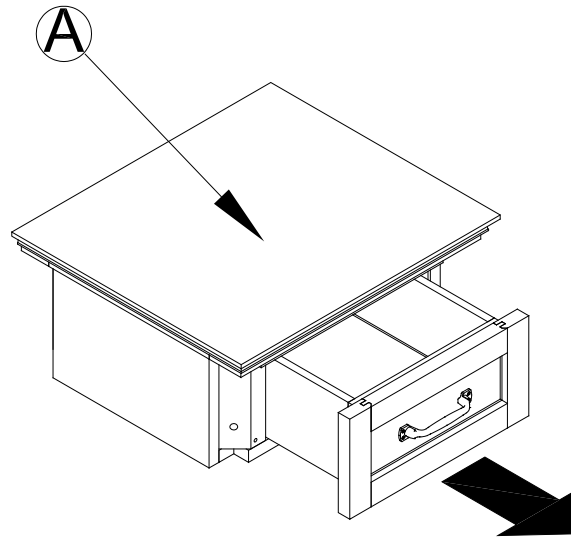
Tools required (not included):



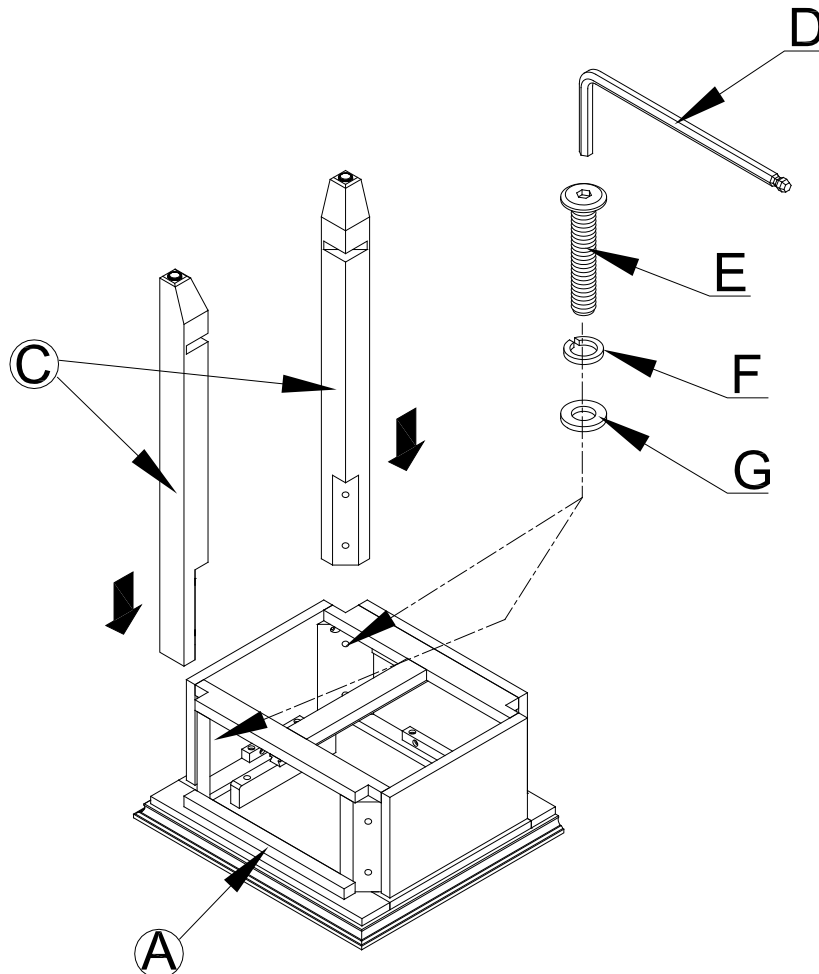
Phillips Head Screwdriver

Assembly instruction steps:

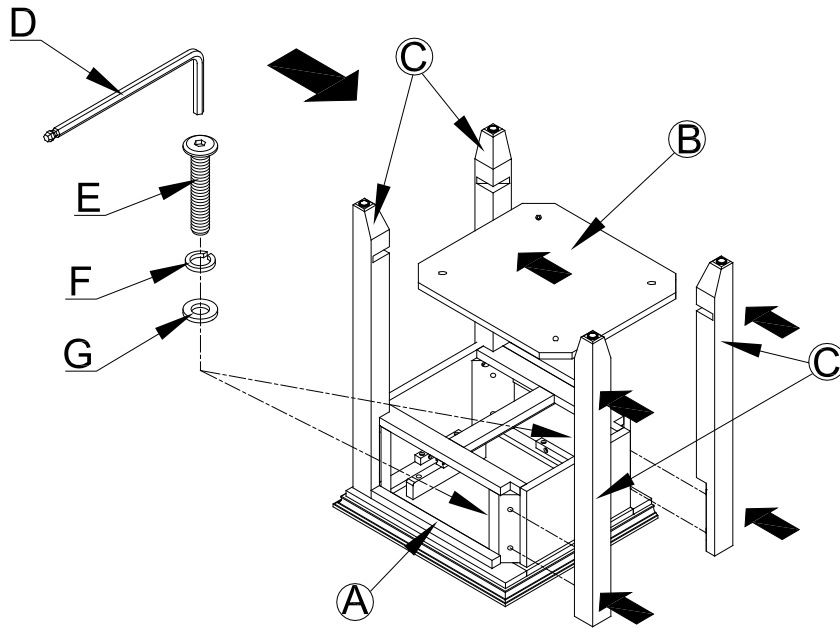
1. Put Top (A) on a soft, scratch-free surface, such as a carpet or rug. Slowly pull out the drawer as shown below.



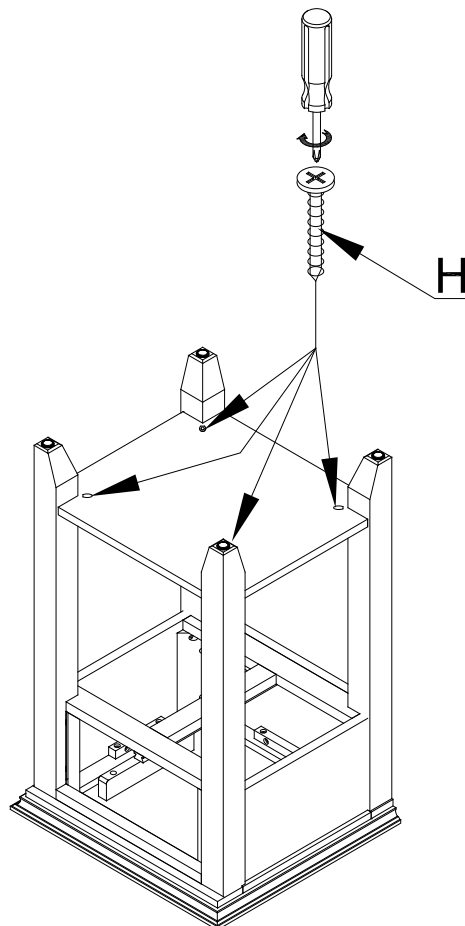
2. Flip Top (A) over, align metal inserts in 2 Legs (C) with pre-drilled holes in corner blocks of Top (A); Insert Hex Bolt (E) through Spring washer (F), Flat washer (G) and pre-drilled holes in corner blocks into metal inserts in Legs (C) as shown below, loosely tighten with Allen Key (D).



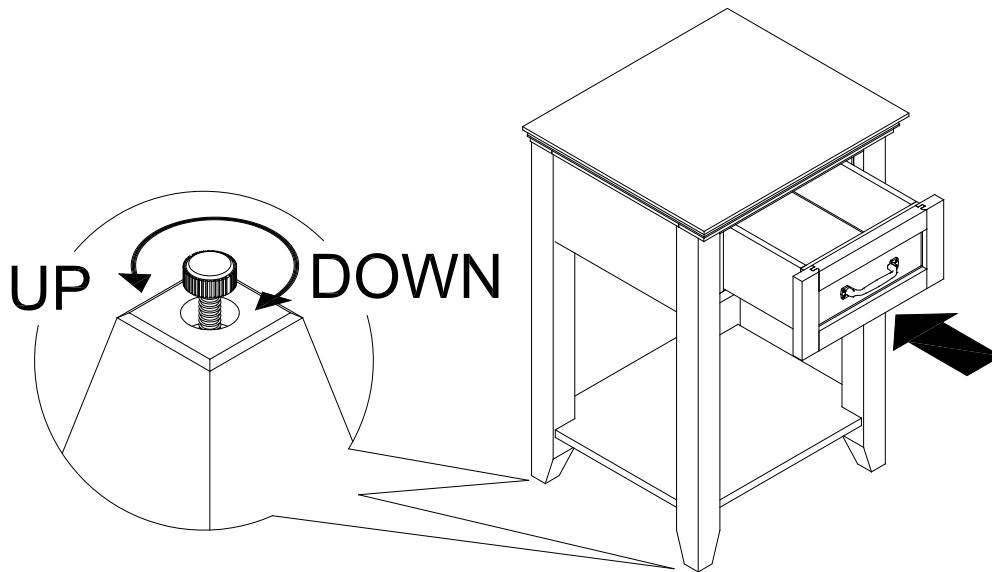
3. Slide shelf (B) corners into grooves in Legs (C) as shown. Fix the other 2 Legs (C) with 4pcs Hex bolts (E), Spring washer (F) and Flat washer (G), make sure all 4 corners of shelf sit in cut-out in Legs (C) as shown below then loosely tighten Hex bolts with Allen key (D).



4. Insert 4pcs Phillip Head Screws (H) into predrilled holes at the Shelf (B). Tighten Shelf (B) to Leg (C) with Phillip Head Screwdriver, as shown below. Tighten ALL Hex bolts now.



5. Stand up this assembled Bedside Table. Re-insert the drawers.
6. Adjust the recessed levelers underneath the legs to make sure the whole assembling balance.



CARE INSTRUCTIONS:

- Dust often using a clean, soft, dry, and lint-free cloth.
- Blot spills immediately and wipe with a clean, damp cloth.
- We do not recommend the use of chemical cleansers, abrasives, or furniture polish on our lacquered finish.
- Hardware may loosen over time. Periodically check to make sure all connections are tight.
Re-tighten if necessary.