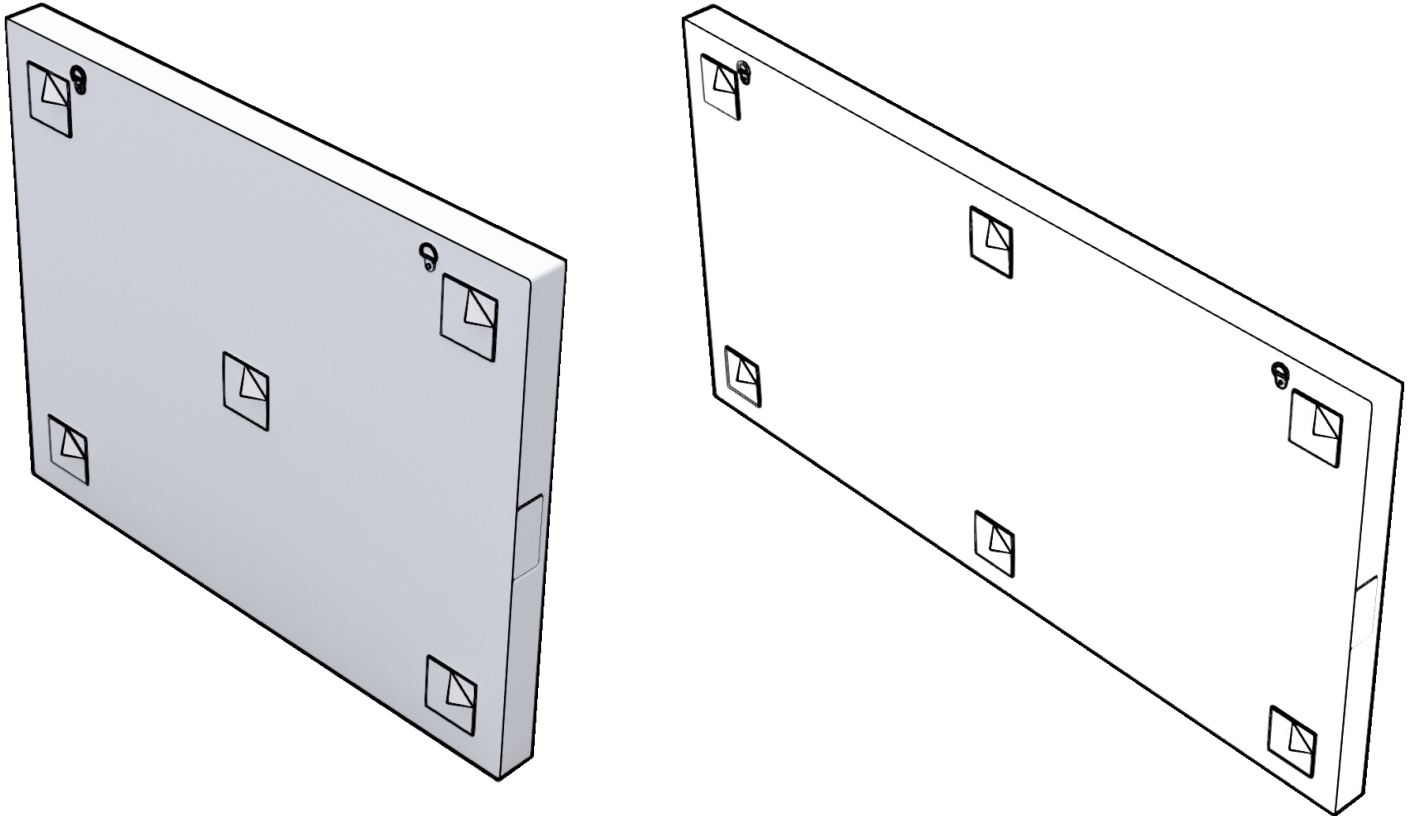


1. If the wall on which this headboard will be mounted has a flat finish, proceed through step 2a, otherwise, skip to step 2b.

2a. Make sure the area on the wall that the headboard will be located is cleaned to allow the adhesive on the Velcro to properly adhere to the wall.

3a. Peel the clear plastic off of the back of the Velcro squares, 5 on a twin unit, 6 on a queen unit.



4a. Firmly press the headboard onto the wall at the desired location, ensuring the cable is coming from the bottom.

2b. The alternate mounting method if the wall is not suitable for proper adhesive application is the use of the 2 D-Rings on the back of the unit.

3b. Hardware needed to mount the headboard in this way would not be included with the unit, any standard picture mounting hardware will be suitable for use with this unit.